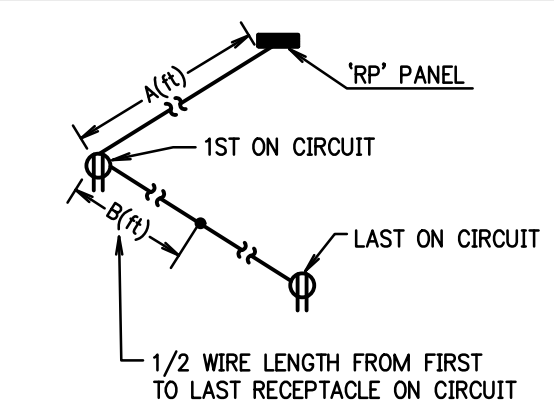


WIRE SIZING TABLE	
FOR 120V-20A BRANCH CIRCUITS ONLY, UNLESS OTHERWISE NOTED	
IF DISTANCE A+B IN FEET IS: (SEE DIAGRAM AT RIGHT)	USE COPPER WIRE IN METALLIC CONDUIT, AWG SIZE AS FOLLOWS ON ENTIRE CIRCUIT AND SIZE CONDUIT ACCORDINGLY.
0' TO 100'	#12 (MIN.)
100' TO 175'	#10
175' TO 300'	#8
300' TO 450'	#6 (MAX.)



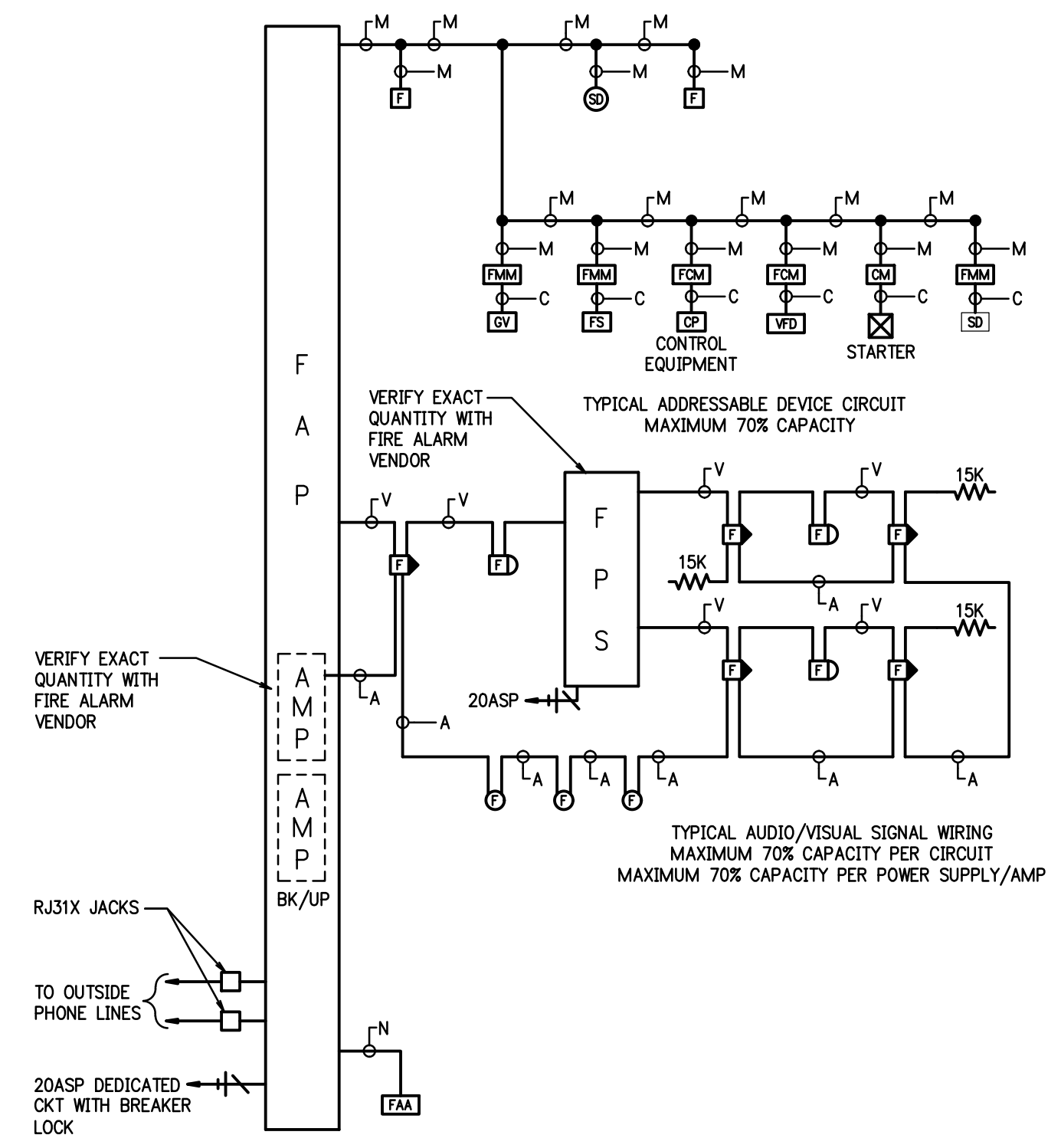
THESE TABLES ARE BASED ON AN EVENLY DISTRIBUTED LOAD ALLOWING A 3% VOLTAGE DROP AT LAST OUTLET; APPLY ACCORDINGLY.

**LUMINAIRE SCHEDULE NOTES:**

- A. ALL DIMMER SWITCHES CONTROLLING LED LUMINAIRES SHALL BE COORDINATED WITH PROVIDED FIXTURE MANUFACTURER TO ENSURE FULL FUNCTIONALITY. WHEREVER 0-10V DIMMERS ARE INDICATED, CONTRACTOR SHALL FURNISH AND INSTALL 0-10V CABLING BETWEEN LUMINAIRE AND DIMMER AS REQUIRED.
- B. TOUCHSCREEN CONTROLLER SHALL HAVE 4 MAIN MODES WITH ON/OFF/RAISE/LOWER FOR EACH SLIDER. COORDINATE WITH OWNER PRIOR TO PROGRAMMING.
  - PERIMETER MODE -  
SLIDER 1: ZONES 3/5/7/10  
SLIDER 2: ZONES 1/2/4/6/8/9/11/12
  - HALF AND HALF NARROW MODE -  
SLIDER 1: ZONES 1-6  
SLIDER 2: ZONES 7-12
  - HALF AND HALF LONG MODE -  
SLIDER 1: ZONES 1/2/3/7/8/9  
SLIDER 2: ZONES 4/5/6/10/11/12
  - QUARTER MODE -  
SLIDER 1: ZONES 1/2/3  
SLIDER 2: ZONES 4/5/6  
SLIDER 3: ZONES 7/8/9  
SLIDER 4: ZONES 10/11/12
- C. PROVIDE TIME CLOCK PROGRAMMING OF LIGHTING RELAY ZONES FOR AUTOMATIC SHUTOFF. VERIFY TIME SCHEDULING WITH OWNER.

**LUMINAIRE SCHEDULE NOTES:**

- A. ALL TYPE L1 LUMINAIRES WERE PRE-PURCHASED BY THE OWNER. E.C. TO RECEIVE, PREP. AND INSTALL - SEE ATTACHED APPROVED OUT SHEETS OF THE TYPE L1 LUMINAIRE.



(ADDRESSABLE SPEAKER/STROBE)  
**FIRE ALARM RISER**  
SCALE: NONE

CABLE	DESCRIPTION	CONDUCTORS IN CONDUIT ONLY (THHN)		NON-CONDUIT POWER-LIMITED		NON-CONDUIT NONPOWER-LIMITED	
		SIZE AND TYPE	COLOR	CABLE (FPL)	PLENUM CABLE (PLFP)	CABLE (NPLF)	PLENUM CABLE (NPLFP)
A	AUDIO CIRCUIT	2 #16 TW SH.	1-YELLOW (+), 1-BLUE (-)	WEST PENN #991	WEST PENN #60990	WEST PENN #1991	WEST PENN #251991
C	CONTROL CIRCUIT	2 #14 THHN	1-ORANGE (+), 1-BROWN (-)	WEST PENN #994	WEST PENN #60993	WEST PENN #1994	WEST PENN #251994
M	ADDRESSABLE CIRCUIT	2 #18 TW SH. PR. WP 975	1-RED (+), 1-BLACK (-)	WEST PENN #990	WEST PENN #60990	WEST PENN #1980	WEST PENN #251980
P	POWER/DOOR HOLDER	2 #14 THHN	2-GRAY	WEST PENN #994	WEST PENN #60993	WEST PENN #1994	WEST PENN #251994
V	VISUAL SIGNAL CIRCUIT	2 #14 THHN	1-RED (+), 1-BLACK (-)	WEST PENN #994	WEST PENN #60993	WEST PENN #1994	WEST PENN #251994
N	REMOTE ANNUNCIATOR	2 #18 TW SH. PR. WP 975 & 2 #14 THHN	1-RED (+), 1-BLACK (-)	WEST PENN #975	WEST PENN #60975	WEST PENN #1975	WEST PENN #251975
				WEST PENN #994	WEST PENN #60993	WEST PENN #1994	WEST PENN #251994

**WIRE LEGEND NOTES:**  
A. SPECIFIED CABLES BASED UPON WEST PENN. ACCEPTABLE APPROVED CABLE MANUFACTURERS INCLUDE BELDEN, ATLAS, BSSC, AND REMEE.

**LEGEND**

- CA CARD READER BY OTHERS, PROVIDE JUNCTION BOX, CONDUIT, AND WIRING, COORDINATE ALL ROUGH-IN/CONDUIT REQUIREMENTS WITH DOOR HARDWARE VENDOR, SEE DOOR SECURITY ROUGH-IN DETAIL AS SHOWN ON SHEET E-8
- AO AUTOMATIC DOOR OPERATOR BY OTHERS, PROVIDE JUNCTION BOX, CONDUIT, AND WIRING, COORDINATE ALL ROUGH-IN/CONDUIT REQUIREMENTS WITH DOOR HARDWARE VENDOR, SEE DOOR SECURITY ROUGH-IN DETAIL AS SHOWN ON SHEET E-7
- PS DOOR POWER SUPPLY BY OTHERS, PROVIDE JUNCTION BOX, CONDUIT, AND WIRING, COORDINATE ALL ROUGH-IN/CONDUIT REQUIREMENTS WITH DOOR HARDWARE VENDOR, SEE DOOR SECURITY ROUGH-IN DETAIL AS SHOWN ON SHEET E-7
- ES DOOR ELECTRIC STRIKE BY OTHERS, PROVIDE JUNCTION BOX, CONDUIT, AND WIRING, COORDINATE ALL ROUGH-IN/CONDUIT REQUIREMENTS WITH DOOR HARDWARE VENDOR, SEE DOOR SECURITY ROUGH-IN DETAIL AS SHOWN ON SHEET E-7
- PP PUSH PAD BY OTHERS, PROVIDE JUNCTION BOX, CONDUIT, AND WIRING, COORDINATE ALL ROUGH-IN/CONDUIT REQUIREMENTS WITH DOOR HARDWARE VENDOR, SEE DOOR SECURITY ROUGH-IN DETAIL AS SHOWN ON SHEET E-7
- KS DOOR ACTIVATION KEY SWITCH BY OTHERS, PROVIDE JUNCTION BOX, CONDUIT, AND WIRING, COORDINATE ALL ROUGH-IN/CONDUIT REQUIREMENTS WITH DOOR HARDWARE VENDOR, SEE DOOR SECURITY ROUGH-IN DETAIL AS SHOWN ON SHEET E-7
- CI LIGHTING CONTACTOR, 20A-120V-1P, 120V FUSED COIL AND 'H-O-A' SELECTOR SWITCH MOUNTED IN COVER; ELECTRICALLY HELD, 120V PRIMARY, 120V COIL, SQUARE D 8903 SERIES, OPERATION WIRED FOR PHOTOCELL ON/PHOTOCELL OFF
- FB HIGH CAPACITY POWER FLOOR BOX, FLUSH, STAMPED STEEL, ON GRADE RATED, RECTANGULAR COVER AND FLANGES, 32000 LB HEAVY COVER LOAD RATING, WITH INTEGRAL 8-POLE LOAD CENTER, ONE 1-1/4" FC FOR POWER, FINISH BY ARCHITECT, PRE-WIRED WITH RECEPTACLES AS SHOWN ON SHEET E-6; HUBBELL HBLSCCUBP SERIES OR ENGINEER APPROVED EQUAL
- FP FOOD TRUCK PEDESTAL, 5.25" X 5.25" X 30"H, 14 GAUGE STEEL CONSTRUCTION, NEMA 3R RATED, LOCKABLE IN-USE HINGED TOP, 8.5" DIA. BASE PLATE, OPEN BASE FOR CONDUIT RACEWAY, 2-GANG OPENING (TOP) WITH 2-20A DUPLEX GFCI RECEPTACLES, (2) 2-GANG OPENINGS (FRONT AND BACK) WITH 1-50A2P (240V) RECEPTACLE WITH IN-USE WEATHERPROOF COVER EACH, POWDERCOAT BLACK COLOR, SEE DETAIL ON THIS SHEET; PEDOC 5P30-C-RA2-RA2-B/HUBBELL MX7200
- LP 12-ZONE LOW VOLTAGE LIGHTING RELAY CABINET, 120V LIGHTING CIRCUITS, WITH 0-10V DIMMING MODULES, PROVIDE ALL POWER PACKS OR OTHER MODULES AS REQUIRED FOR A COMPLETE WORKING SYSTEM, TIME CLOCK SCHEDULING CAPABILITY, ACUITY IN-LIGHT SERIES OR APPROVED EQUAL, NOTE-C
- LTP LOW VOLTAGE LIGHTING TOUCHSCREEN CONTROLLER, 7" TOUCHSCREEN WITH 8 PRESET SCENES AND CAPABLE OF INTERFACING WITH 12 LIGHTING ZONES FROM LIGHTING RELAY CABINET, PROVIDE ALL POWER PACKS AS REQUIRED; ACUITY FRESKO FCS-775N-DWH SERIES NOTE-B
- S FOUR BUTTON LOW VOLTAGE SWITCH WIRED TO LIGHTING RELAY CABINET: ON/OFF/RAISE/LOWER

**LUMINAIRE SCHEDULE**

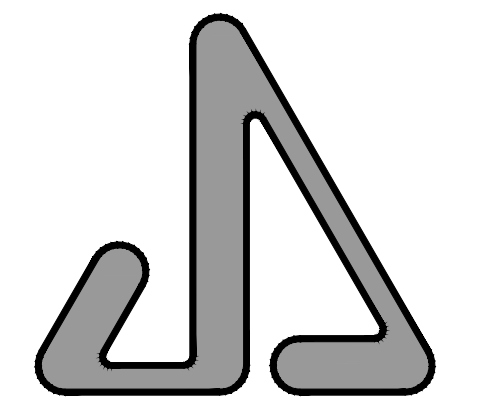
- L1 LED - EXIT SIGN, EDGE LIT, 13"W. X 12"H. X 3"D., SURFACE MOUNTED, EXTRUDED BRUSHED ALUMINUM HOUSING, STENCIL FACE, ARROWS AS SHOWN, GREEN LETTERS ON CLEAR PANEL, MIRROR BACKGROUND, SHADING INDICATES FACE, 90 MINUTE BATTERY BACKUP, 120V
- L2 LED - EXIT SIGN, EDGE LIT, 13"W. X 12"H. X 3"D., CEILING MOUNTED, RECESSED, EXTRUDED BRUSHED ALUMINUM HOUSING, STENCIL FACE, ARROWS AS SHOWN, GREEN LETTERS ON CLEAR PANEL, MIRROR BACKGROUND, SHADING INDICATES FACE, 90 MINUTE BATTERY BACKUP, 120V
- L3 LED - EXIT SIGN, EDGE LIT DOUBLE FACED, 13"W. X 12"H. X 3"D. CEILING MOUNTED, RECESSED, EXTRUDED BRUSHED ALUMINUM HOUSING, STENCIL FACE, ARROWS AS SHOWN, GREEN LETTERS ON CLEAR PANEL, MIRROR BACKGROUND, 90 MINUTE BATTERY BACKUP, 120V
- L4 LED - 40W, 2'x2' FLAT PANEL LUMINAIRE, 80CRI, 4000K COLOR TEMPERATURE, 4000 LUMENS, MVOLT
- L5 LED - 30W, 2'x2' FLAT PANEL LUMINAIRE, 80CRI, 4000K COLOR TEMPERATURE, 3300 LUMENS, MVOLT
- L6 SAME AS TYPE 'L5' EXCEPT WITH DRYWALL TRIM KIT
- L7 LED - 30W, 1'x4' FLAT PANEL LUMINAIRE, 80CRI, 4000K COLOR TEMPERATURE, 3300 LUMENS, MVOLT
- L8 LED - 34W, 5000 LUMEN, 48"L X 2-1/8" W "X 2-3/16" W, 4000K, STEEL CONSTRUCTION, WHITE FINISH, FROSTED LENS, WITH CHAIN MOUNTING, 120/277V
- L9 LED - 100W: 12,000 LUMENS, 4,000K COLOR TEMPERATURE, HIGH BAY LUMINAIRE, 16" DIA. ACRYLIC REFLECTOR, 15" OVERALL HEIGHT, STEM MOUNTED, ALUMINUM HOUSING, STAINLESS STEEL HARDWARE, 0-10V DIMMING TO 1% 120V, FINISH BY ARCHITECT SEE MOUNTING DETAIL ON SHEET E-3
- L10 LED - 15W: 1500 LUMENS, 4,000° K COLOR TEMPERATURE, DOWNLIGHT, 4" DIA. X 12" X 10" X 6" D., CLEAR ALZAK TRIM, SEMI-SPECULAR REFLECTOR, DAMP LOCATION RATED, 0-10V 10% DIMMING DRIVER, 120V
- L11 LED - 32W: 2,700 LUMENS, 4,000K COLOR TEMPERATURE, EXTERIOR WALL MOUNTED HORIZONTAL DISC LUMINAIRE, 14" DIA. X 2.75"H., ACRYLIC DIFFUSER, MOUNTED VIA 16" ARM, ALUMINUM HOUSING, STAINLESS STEEL HARDWARE, MOUNTING TO A STANDARD BACKBOX AND AIRCRAFT CABLE MOUNT PLATE, WET LOCATION RATING, 120V, FINISH BY ARCHITECT
- L12 LED - 20W: 2,000 LUMENS, 4,000K COLOR TEMPERATURE, EXTERIOR MULLION WALL MOUNTED LUMINAIRE, 10"L X 2.5"H. X 2.25"D., ALUMINUM HOUSING AND FINISH, STAINLESS STEEL HARDWARE, MOUNTING TO A STANDARD BACKBOX, WITH 90 MINUTE EMERGENCY BACKUP BATTERY, WET LOCATION RATING, 120V
- L13 HUBBELL LIGHTING COMPASS CELIRIRNE LITHONIA EDG 1 G PHILIPS CHLORIDE ER45VXL RM SURE-LITE EXU61R
- L14 HUBBELL LIGHTING COMPASS CELIRIRNE LITHONIA EDGR 1 G PHILIPS CHLORIDE ER45VXL W RM SURE-LITE EXU61R EMERGI-LITE EDG1 SERIES
- L15 HUBBELL LIGHTING COMPASS CELIRIRNE LITHONIA EDGR 2 G PHILIPS CHLORIDE ER45VXL W RM SURE-LITE EXU61R EMERGI-LITE EDG2 SERIES
- L16 LITHONIA CPX LED SERIES OR ENGINEER APPROVED EQUAL
- L17 LITHONIA CPX LED SERIES OR ENGINEER APPROVED EQUAL
- L18 LITHONIA EPANL-14 LED SERIES OR ENGINEER APPROVED EQUAL
- L19 LITHONIA ZL1N-L48-5000LM-FST SERIES OR ENGINEER APPROVED EQUAL
- L20 CHAMELEON HBV2-12-AR-P5-X-L12-40K-8
- L21 LIGHTOLIER P4R D 15 N Z10 U VB P4R D 8 40 VB P4R D CL ALPHABET MJK LITHONIA LDN4 40/15 L04 AR LSS 120 GZ10 TRW PRESCOLITE LF4SL 4LFLS 40K SS WH
- L22 BROWNLEE PENNY OD 7205-XX-L32-40K
- L23 EXITRONIX NFS 1M MM MM SIGNTEX LIGHTING MJE-AC-20-A-W-CW2-2HT EMERGENSEE SEEU AC 20 W W SW 2HT

**LEGEND NOTES:**

- A. ALL DIMMER SWITCHES CONTROLLING LED LUMINAIRES SHALL BE COORDINATED WITH PROVIDED FIXTURE MANUFACTURER TO ENSURE FULL FUNCTIONALITY. WHEREVER 0-10V DIMMERS ARE INDICATED, CONTRACTOR SHALL FURNISH AND INSTALL 0-10V CABLING BETWEEN LUMINAIRE AND DIMMER AS REQUIRED.

**LEGEND**

- S, S<sub>o</sub>, S<sub>s</sub>, S<sub>4</sub> WALL SWITCHES: SINGLE POLE, DOUBLE POLE, 3-WAY, 4-WAY
- Sm MANUAL MOTOR STARTER WITH PILOT LIGHT
- Sr MANUAL ON-OFF SWITCH
- Sv WALL SWITCH, VACANCY SENSOR, PASSIVE INFRARED/MICROPHONICS DETECTION, 625 D.O. FT. (MINIMUM) COVERAGE, ON/OFF BUTTON, COLOR SELECTED BY ARCHITECT; SENSOR SWITCH WSX-PDT-SA OR ENGINEER APPROVED EQUAL
- D DIMMER, 0-10V, RAISE-LOWER, BUTTONS, ON-OFF BUTTONS, PROVIDE POWER PACKS AS REQUIRED, NOTE-A; SENSOR SWITCH SPQDM-SA-D OR ENGINEER APPROVED EQUAL
- Dv DIMMER, 0-10V, VACANCY SENSOR, PASSIVE INFRARED/MICROPHONICS DETECTION, 625 SQ. FT. (MINIMUM) COVERAGE, ON/OFF BUTTON, RAISE LOWER BUTTONS, COLOR SELECTED BY ARCHITECT, NOTE-A; SENSOR SWITCH WSX-PDT-D-VA OR ENGINEER APPROVED EQUAL
- OS OCCUPANCY SENSOR, DUAL TECHNOLOGY, CEILING MOUNTED, 1100 SQ. FT. 360° COVERAGE WITH POWER PACK (24VDC-150mA) AND AUXILIARY RELAY AS REQUIRED; SENSOR SWITCH CM-PDT SERIES OR ENGINEER APPROVED EQUAL
- Φ DUPLEX RECEPTACLE
- ΦΦ DOUBLE DUPLEX RECEPTACLE, 2-GANG, 4-OPENING
- ΦΦ DUPLEX RECEPTACLE WITH GROUND FAULT CIRCUIT INTERRUPTER PROTECTION
- ΦΦ EWC DUPLEX RECEPTACLE WITH GROUND FAULT CIRCUIT INTERRUPTER PROTECTION FOR ELECTRIC WATER COOLER, CORD AND PLUG SHALL NOT BE VISIBLE FROM GENERAL VIEW
- Φ CEILING MOUNTED DUPLEX RECEPTACLE
- FACELESS GFCI DEVICE
- ▽ COMMUNICATION OUTLET, 4-11/16" SQ. 2-1/8" DEEP BOX WITH SINGLE GANG PLASTER RING, 1-1/4" C STUBBED UP ABOVE ACCESSIBLE CEILING
- ▽ COMMUNICATION OUTLET, 4-11/16" SQ. 2-1/8" DEEP BOX WITH DOUBLE GANG PLASTER RING, (2)1-1/4" C STUBBED UP ABOVE ACCESSIBLE CEILING
- JUNCTION BOX, BLANK COVER
- CONDUIT CONCEALED IN WALL OR ABOVE CEILING, EXPOSED IN UNFINISHED AREAS
- CONDUIT CONCEALED UNDER FLOOR
- HOME RUN TO PANEL; GROUND, PHASE 'A', 'B', 'C' AND NEUTRAL
- CONDUIT TURNED UP, CONDUIT TURNED DOWN
- ▨ RECEPTACLE PANEL; 120/208V-3PH-4W
- ▨ MAIN DISTRIBUTION PANEL; 277/480V-3PH-4W
- ▨ LIGHTING PANEL; 277/480V-3PH-4W
- MOTOR, HORSEPOWER AS NOTED
- CONTROL PANEL (STARTERS, ETC.); F.B.M.C.
- CONTROL PANEL (STARTERS, ETC.) WITH DISCONNECT FURNISHED WITH EQUIPMENT; F.B.M.C.
- F.B.G.C. FURNISHED BY GENERAL CONTRACTOR, INSTALLED AND/OR WIRED BY ELECTRICAL CONTRACTOR
- F.B.M.C. FURNISHED BY MECHANICAL CONTRACTOR, INSTALLED AND/OR WIRED BY ELECTRICAL CONTRACTOR
- F.B.S.C. FURNISHED BY SPRINKLER CONTRACTOR, INSTALLED AND/OR WIRED BY ELECTRICAL CONTRACTOR
- F.B.O. FURNISHED BY OTHERS, INSTALLED AND/OR WIRED BY ELECTRICAL CONTRACTOR
- LD LOCATE AS DIRECTED
- M.H. MOUNTING HEIGHT, FLOOR TO BOTTOM OF ITEM
- N.L. NIGHTLIGHT
- U.N.O. UNLESS NOTED OTHERWISE
- W.P. ITEM TO BE WEATHERPROOF
- ⊕ 50A, SINGLE POLE, 2 WIRE GROUNDING RECEPTACLE WEATHERPROOF WITH IN-USE COVER
- ⊕ OUTLET TO BE DUPLEX OR MATCHING RECEPTACLE IF EQUIPMENT IS FURNISHED WITH CORD AND PLUG, OR JUNCTION BOX AND/OR SAFETY SWITCH WITH SEALTITE CONNECTION IF EQUIPMENT IS TO BE WIRED DIRECT. IT SHALL BE THE ELECTRICAL CONTRACTOR'S RESPONSIBILITY TO VERIFY THE REQUIRED OUTLET AND TO WIRE ALL EQUIPMENT COMPLETE.
- XXXXX FEEDER IDENTIFICATION, SEE FEEDER SCHEDULE SHEET E3.00
- HEAVY DUTY SAFETY SWITCH, SIZE AS NOTED, FUSED AS NOTED, NEMA 1
- HEAVY DUTY SAFETY SWITCH, SIZE AS NOTED, FUSED AS NOTED, NEMA 3R
- XF DRY-TYPE TRANSFORMER; SEE ONE LINE DIAGRAMS
- ⊗ FUSIBLE COMBINATION MAGNETIC MOTOR STARTER, 480V-3P, SIZE '1', WITH FUSED 120V CONTROL XF AND 'HAND-OFF-AUTO' HEAVY DUTY SELECTOR SWITCH AND RED 'PUSH-TO-TEST' PILOT LIGHT MOUNTED IN COVER; SQUARE D 8538 SERIES
- SP1 MAIN DISTRIBUTION PANEL SURGE PROTECTION DEVICE; SEE SPECIFICATIONS AND DETAIL ON SHEET E-7
- SP2 SUB DISTRIBUTION PANEL SURGE PROTECTION DEVICE; SEE SPECIFICATIONS AND DETAIL ON SHEET E-7
- SP3 BRANCH PANEL SURGE PROTECTION DEVICE; SEE SPECIFICATIONS AND DETAIL ON SHEET E-7
- PS PHOTOCELL MOUNTED ON ROOF FACING NORTH; PRECISION ST-15
- DC DOOR CONTACT FOR DOOR ALARM, PROVIDE 4" SQUARE BOX WITH BLANK COVER PLATE CENTERED ABOVE THE DOOR AND 1" C TO BAR JOIST, 120V, WIRING AND DOOR ALARM BY OTHERS
- BUILDING STEEL GROUNDING - SEE GROUNDING DETAILS ON SHEET E4.0
- FAP FIRE ALARM CONTROL PANEL, SEE RISER ON THIS SHEET
- FAS FIRE ALARM ANNUNCIATOR
- FAC FIRE ALARM NOTIFICATION APPLIANCE CIRCUIT POWER SUPPLY
- FS FIRE ALARM SPEAKER AND STROBE 75 CD UNLESS NOTED OTHERWISE
- FE FIRE ALARM SPEAKER AND STROBE, CEILING MOUNTED, 75 CD UNLESS NOTED OTHERWISE
- FEI FIRE ALARM STROBE, CEILING MOUNTED, 75 CD UNLESS NOTED OTHERWISE
- FIRE ALARM CEILING SPEAKER
- FIRE ALARM MANUAL PULL STATION
- CEILING SMOKE DETECTOR
- DUCT SMOKE DETECTOR WITH EXTRA SET OF N.O. CONTACTS; PROVIDED WITH HVAC EQUIPMENT
- FAM FIRE ALARM MONITOR MODULE; MATCH EXISTING
- FCA FIRE ALARM CONTROL MODULE; MATCH EXISTING



JAMES S. JACOBS ARCHITECTS, PLLC  
25 WASHINGTON STREET  
MONROE, MICHIGAN 48161  
TELE: (734) 241-7933  
FAX: (734) 241-1181  
EMAIL: jim@jacobsearch.com



JDRM Engineering  
Mechanical | Electrical | Plumbing | Technology | Safety  
5604 N. Main St. Suite 200  
Sylvania, Ohio 43560  
PH: (419) 824-2400  
FAX (419) 824-2409  
www.jdrm.com

PACKAGE #2  
NEW MULTI-FACILITY SITE  
DEVELOPMENT FOR:

FRENCHTOWN  
CHARTER TOWNSHIP  
COMMUNITY CENTER

N. DIXIE HWY.  
MONROE, MICHIGAN 48162

PROPERTY OWNER CONTACT:  
FRENCHTOWN CHARTER TOWNSHIP  
2744 VIVIAN ROAD  
MONROE, MICHIGAN 48162  
ATTN.: ALAN VANWASHENOVA, SUP.  
PHONE: 734-242-5904 EXT. 132  
EMAIL: al@frenchtowncharterwp.org

ELECTRICAL  
-  
LEGEND  
SHEET

NOT FOR CONSTRUCTION

03-23-23  
02-17-23  
02-06-23  
DATE: ISSUED FOR:  
DRAWN: RKB  
REVIEW'D: DTK

202215  
PACKAGE #2

E-1